

Instructions:

Kodak E1000/S2000 Series

Stacking Deflector Accessory

Translation of these instructions is available at the on-line support page for your scanner model, for instance:

توجد ترجمة لهذه التعليمات على صفحة الدعم المتوفرة عبر الإنترنت والتي تناسب طراز الماسحة الضوئية، على سبيل المثال:

这些说明的译文请参阅扫描仪型号的在线支持网页，例如：

如需這些說明的翻譯，請參見您掃描器型號的線上支援，例如：

La traduction de ces instructions est disponibles sur la page de support en ligne pour votre modèle de scanner, par exemple :

Eine Übersetzung dieser Anweisungen ist auf der Online-Supportseite zu Ihrem Scannermodell verfügbar, wie zum Beispiel:

Una traduzione di queste istruzioni è disponibile presso la nostra pagina di assistenza online per i modelli di scanner:

これらの手順の翻訳は、ご使用のスキヤナーモデルごとにオンラインサポートページからご利用になれます。例：

해당 스캐너 모델의 온라인 지원에서 이 지침의 번역 내용을 확인할 수 있습니다. 예：

A tradução dessas instruções está disponível na página de suporte on-line para o seu modelo de scanner, por exemplo:

Перевод настоящего руководства доступен на странице онлайн-поддержки для вашей модели сканера, например:

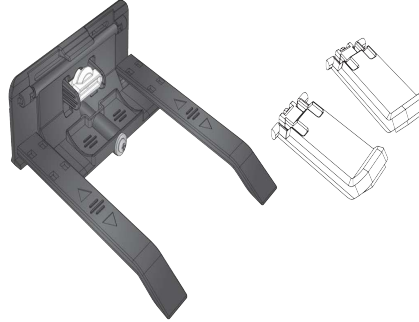
La traducción de estas instrucciones está disponible en la página de asistencia en línea específica para su modelo de escáner, por ejemplo:

Bu talimatların çevirilerine tarayıcınızın modelinin çevrimiçi destek sayfasından ulaşabilirsiniz, örneğin:

AlarisWorld.com/go/S2000support
AlarisWorld.com/go/S2000wsupport
AlarisWorld.com/go/E1025support
AlarisWorld.com/go/E1035support
AlarisWorld.com/go/E1030support
AlarisWorld.com/go/E1040support

Contents of the kit:

This kit contains:



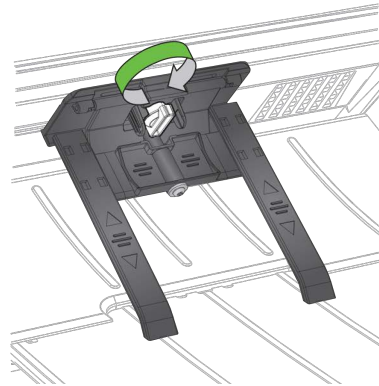
- One Stacking Deflector Accessory for the E1000, E1030, E1040, S2000 and S2000w model scanners.
- Two Tilt Stand Legs for the E1000, E1030, E1040, S2000 and S2000w model scanners.

Expected use of stacking deflector

The stacking deflector accessory attaches to the front lower edge of the scanner cover. It helps paper exiting the scanner to remain in order and to stack correctly.

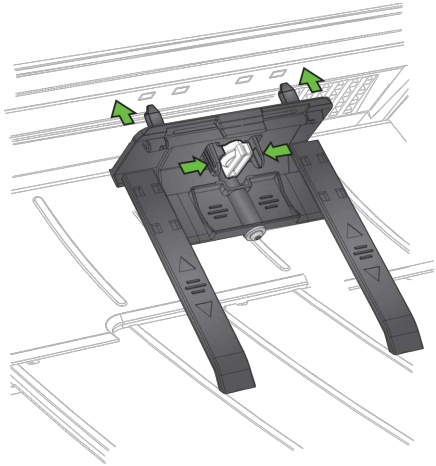
How to install

1. Turn the locking knob to vertical.

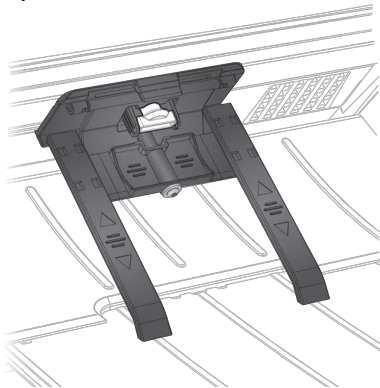


2. Hold the stacking deflector slightly in front of and lower than the front lower edge of the scanner cover, with the legs pointing away from the scanner.

- The deflector bracket has four tabs. These tabs need to line up with four slots in the lower edge of the scanner cover.
- When the tabs are lined up, squeeze on the small touch points to left and right of the locking knob. Squeeze, and then push the four tabs into the slots. Stop squeezing once the stacking deflector is seated against the lower edge of the scanner cover.



- Turn the locking knob horizontal into its locked position. The stacking deflector is now held in place on the scanner. When the deflector is



installed correctly, they will touch the partially extended output tray.

How to use

Scanning paper of mixed lengths

- The stacking deflector legs are down for use.
- The leg length is adjustable. Hold the stacking deflector at the touch points on the central hub when you want to change their length. Always adjust the legs to the same length before scanning.



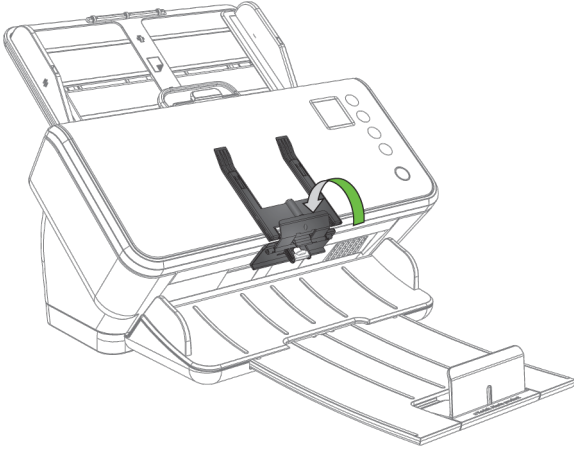
- When scanning pages of different lengths (such as a form accompanied by a check), adjust the stacking deflector accessory legs so they will trap the shorter page. The longer pages will push under the deflector legs, but shorter pages will stay close to the scanner.



- If scanning pages of several different lengths (for example 3 inches, 5 inches, and 11 inches long), adjust the deflector legs so they will trap all the shorter pages. In this example, adjust to trap the 5 inch pages. The shorter pages will stay near the scanner, and the longer pages will push beyond the stacking deflector legs.

Normal jobs

If your jobs stack nicely without the stacking deflector accessory, you can flip it up so the stacking deflector rests on the scanner cover.



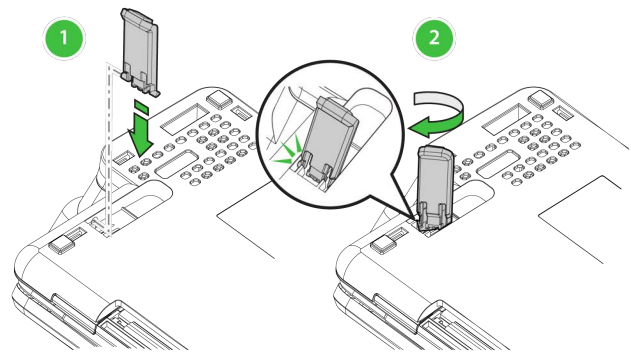
Flip the stacking deflector down again when needed. The stacking deflector is *not* recommended for lightweight pages longer than 150 mm (5.9 inches).

Expected use of tilt stand legs

The tilt stand legs attach to the underside of the scanner. When extended, they enable raising the front edge of the scanner which assists the output of long pages.

How to install

1. Turn scanner upside down, grasp one tilt stand leg with the foot pad facing the rear of the scanner.
2. Tilt the leg slightly and insert it into one of the slots on the underside of the scanner. Align one of the pins on the side of the tilt stand leg with one of the openings at the front edge of the slot, and twist into place.



Repeat for the other leg.



5P1384