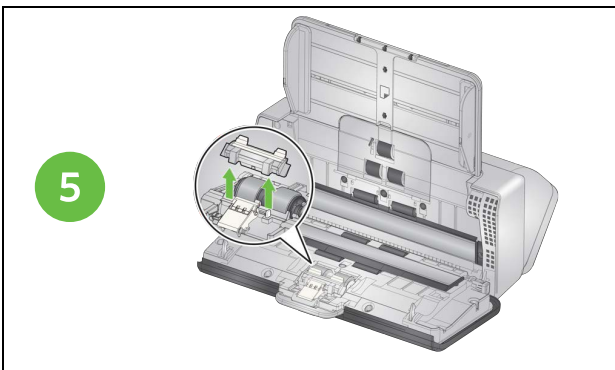
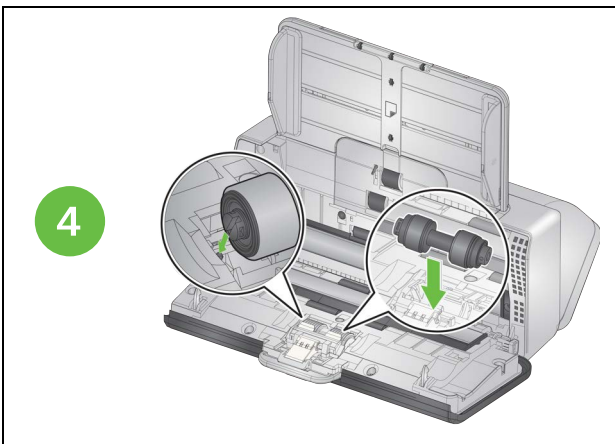


Cleaning and replacing the separation roller



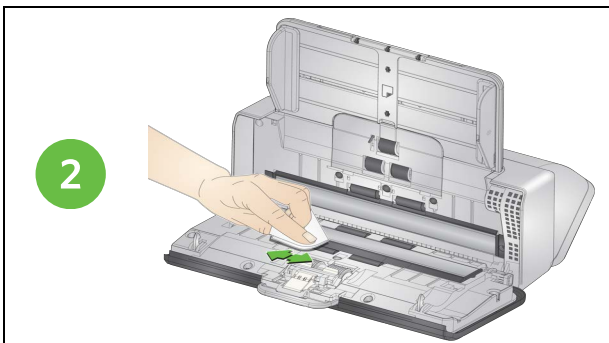
Support Information

[AlarisWorld.com/go/E1030support](https://www.alarisworld.com/go/E1030support)
[AlarisWorld.com/go/E1040support](https://www.alarisworld.com/go/E1040support)

When contacting support, have the following available:

- A description of your problem
- Scanner model and serial number
- Computer configuration
- Software application you are using

Cleaning the imaging area



Supplies and Consumables

[AlarisWorld.com/go/E1030support](https://www.alarisworld.com/go/E1030support)
[AlarisWorld.com/go/E1040support](https://www.alarisworld.com/go/E1040support)

A-61999 / Part #5P1138 1 August 2022

All trademarks and trade names used are the property of their respective holders.

The Kodak trademark and trade dress are used under license from Eastman Kodak Company.

© 2022 Kodak Alaris Inc.
TM/MC/MR: Alaris
08/22



5P1138

Kodak

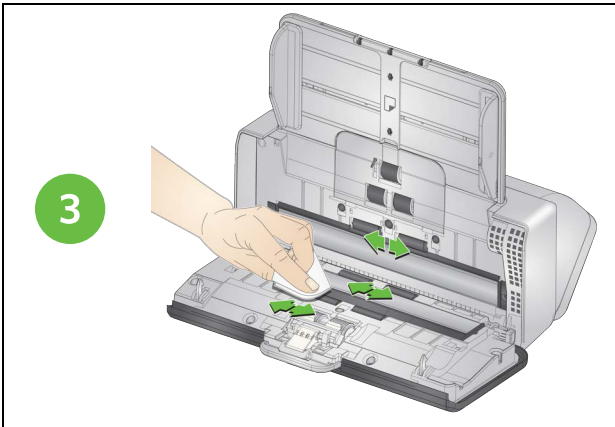
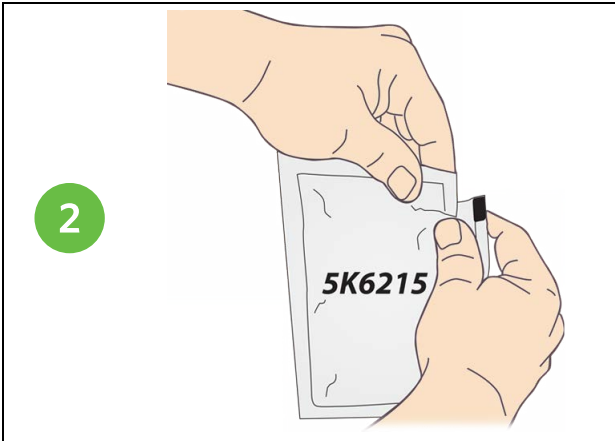
E1030/E1040 Series Scanners

Reference Guide

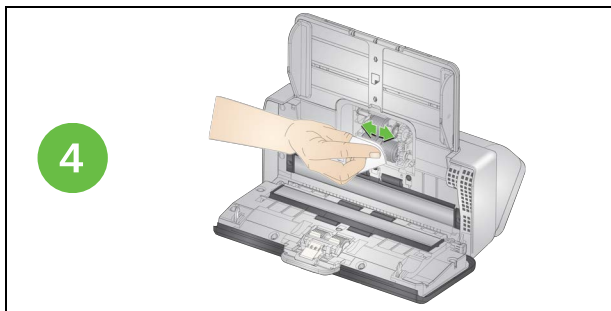
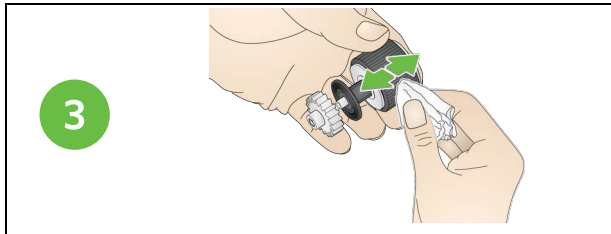
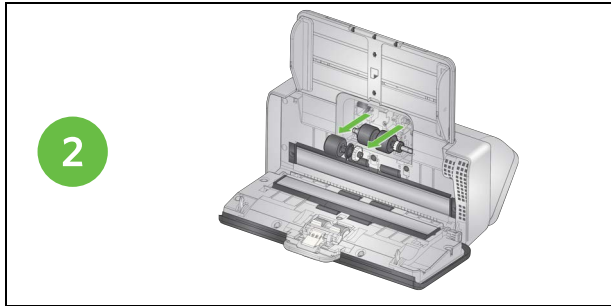
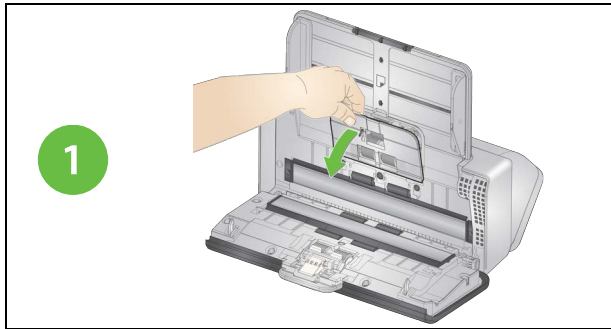


A-61999
5P1138

Cleaning the rollers



Cleaning the feed rollers



Cleaning and replacing the separation roller

