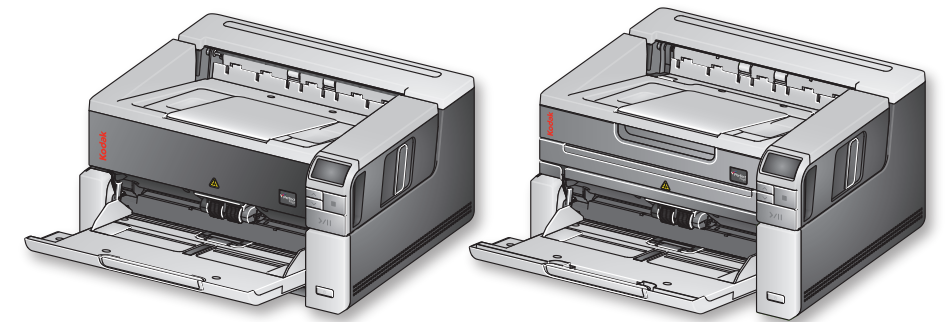


Kodak i3000 Series Scanners**Installation Guide/First Scan**

Guía de instalación/Primera digitalización

Guia de Instalação/Primeira digitalização

Průvodce instalací/Nejprve naskenovat

Installatiehandleiding/Eerste scan

Guide d'installation/Première numérisation

Installationshandbuch/Erster Scanvorgang

Οδηγός εγκατάστασης/Πρώτη σάρωση

Telepítési útmutató/Első szkennelés

Guida all'installazione/Prima scansione

インストールガイド / はじめてのスキャン

설치 가이드/첫 번째 스캔

Podręcznik instalacji / Pierwsze skanowanie

Ghid de instalare/prima scanare

Руководство по установке/Первое сканирование**安裝指南/首次掃描****安裝指南/初次掃描****Kurulum Kılavuzu/ilk Tarama****Kodak**Kodak Alaris, Inc.
2400 Mount Read Blvd.
Rochester, NY 14615© 2015 Kodak Alaris Inc. All rights reserved.
A-61786/5K4971B April 2016The Kodak trademark and trade dress are
used under license from Eastman Kodak Company.www.kodakalaris.com/go/IM

Kodak i3000 Series Scanners

