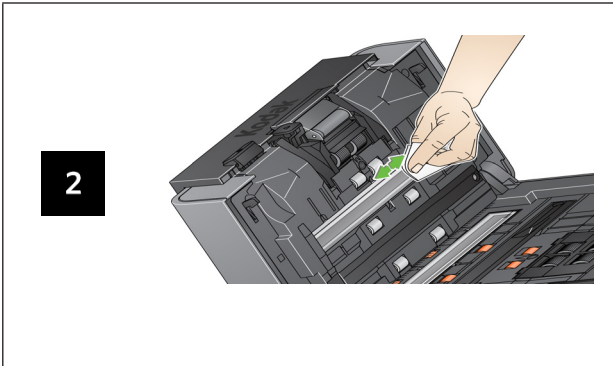


Cleaning the imaging area



Indicator Lights

The power button is illuminated blue when the Scan Station is on and ready. Following is a description of LED status:

LED	Remedy
Steady blue	Scan Station is on and ready to scan.
Flashing blue	Indicates the Scan Station is initializing from powering on or warming up and preparing to scan.
Flashing or steady red	Indicates a Scan Station error, such as the Scan Station cover is open.

Supplies and Accessories

CAT No.	Description
148 4864	Kodak Feed Rollers
173 6115	Kodak Separation Module
826 9607	Kodak Feed Module
100 2716	Kodak Roller Cleaning Pads
169 0783	Kodak Transport Cleaning Sheets
896 5519	Staticide Wipes for Kodak Scanners

IMPORTANT:

- ❑ Staticide Wipes contain isopropanol which can cause eye irritation and dry skin. Wash your hands with soap and water after performing maintenance procedures. Refer to the Safety Data Sheet (SDS) for more information (www.kodakalaris.com/go/ehs).

All trademarks and trade names used are the property of their respective holders.

The Kodak trademark and trade dress are used under license from Eastman Kodak Company.

© 2019 Kodak Alaris Inc.
TM/MC/MR: Alaris

A-61921 / Part # 5K8638 August 2019

Kodak Scan Station 700 Plus Series

Maintenance Reference Guide



Support Information

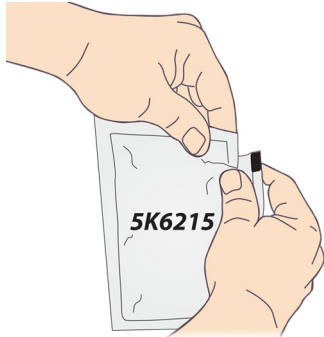
www.AlarisWorld.com/go/imsupport

When contacting support, have the following available:

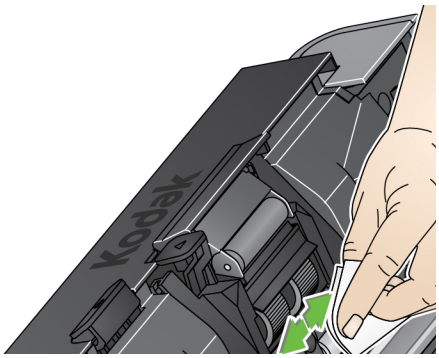
- A description of your problem
- Scanner model and serial number
- Computer configuration
- Software application you are using

Cleaning the rollers

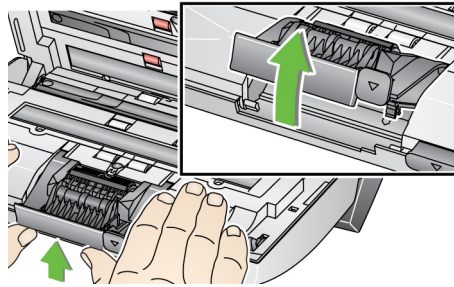
1



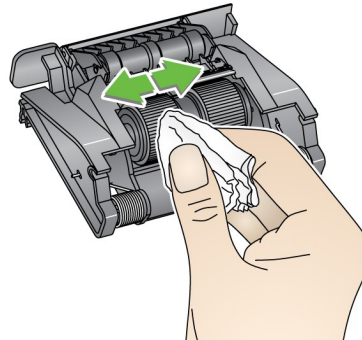
2



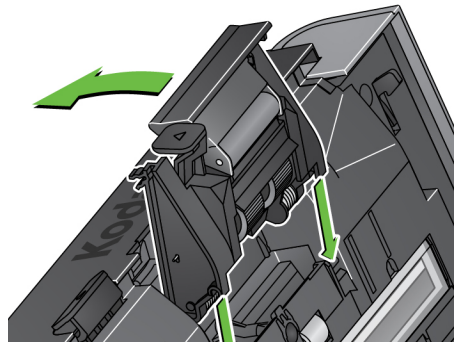
1



2

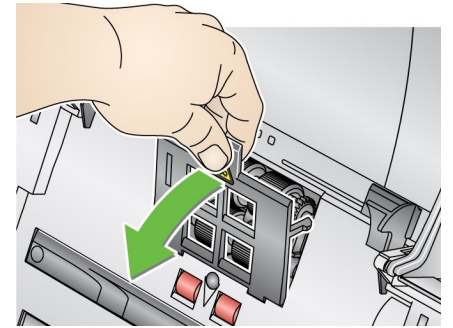


3

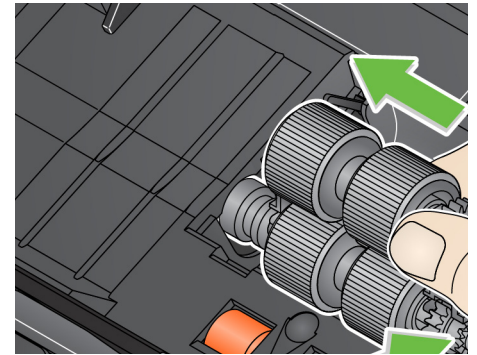


Cleaning and replacing the feed module

1



2



3

